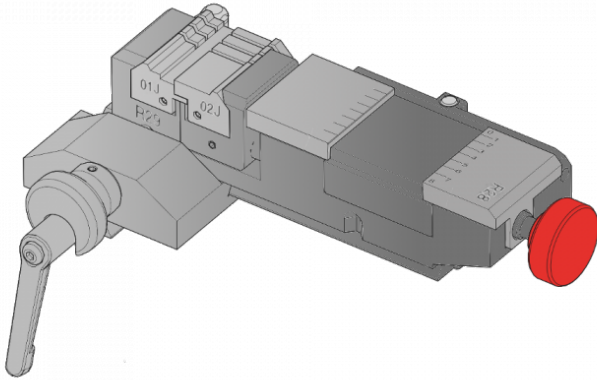




SILCA D945870ZR Triax Pro R29 Jaw



Description

The Silca D945870ZR Triax Pro R29 Jaw Clamp is designed to accept a variety of removable jaws suitable for copying dimple/laser keys.



Dimple Key

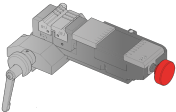


Laser Key

Features

- High quality Silca product
- To suit the Silca Triax Pro key cutting machine
- R29 Jaw Clamps

Product Table



L26754
D945870ZR (Jaw Clamp)