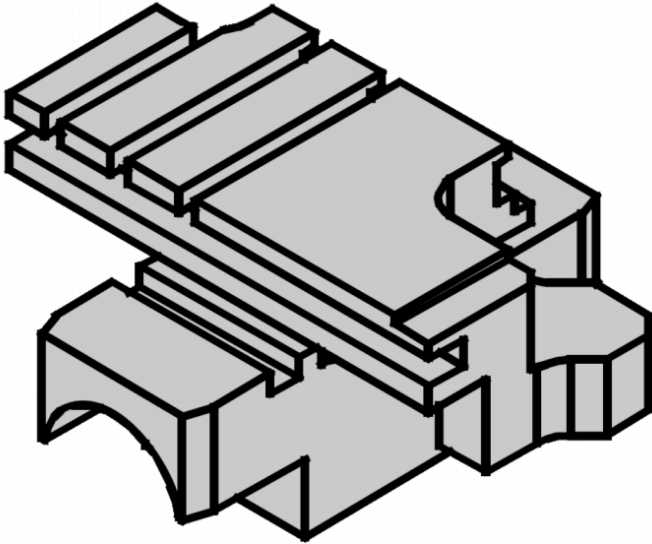




SILCA D939271ZR Matrix Pro Mobile Jaw



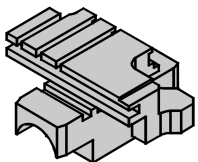
Description

A genuine Silca mobile jaw to suit the Matrix Pro manual laser & dimple key cutting machine.

Features

- Genuine Silca part
- Mobile jaw
- To suit the Matrix Pro key cutting machine

Product Table



L24313

D939271ZR