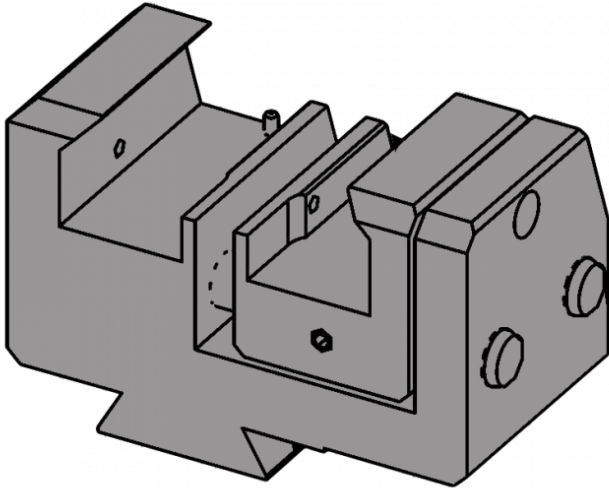




SILCA D942570ZR Futura 01R Clamp



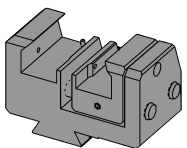
Description

The D942570ZR 01R is a genuine Silca clamp adaptor to suit the Silca Futura electronic key cutting machine.

Features

- Clamp adaptor
- High quality Silca product
- For use with the Silca Futura electronic key cutting machine

Product Table



L23913

D942570ZR 01R