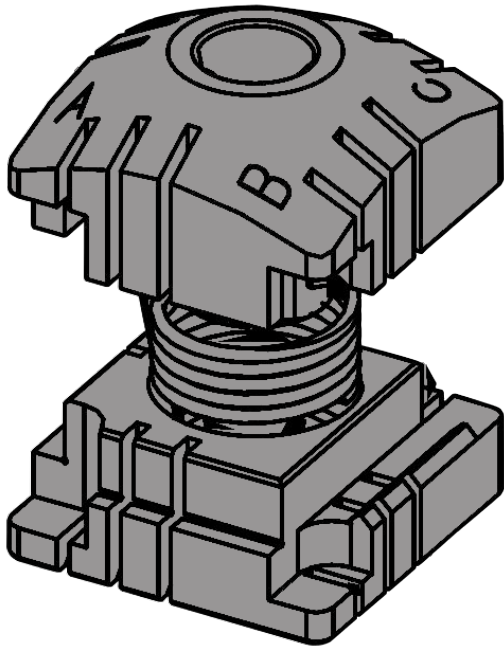




SILCA D942846ZR Futura 01V Clamp



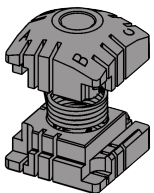
Description

The D942846ZR 01V is a genuine Silca clamp adaptor to suit the Silca Futura electronic key cutting machine.

Features

- Clamp adaptor
- High quality Silca product
- For use with the Silca Futura electronic key cutting machine

Product Table



L23917

D942846ZR 01V