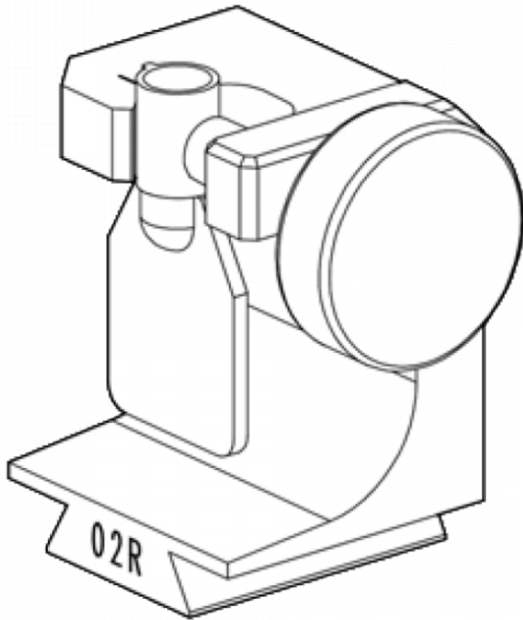




SILCA D743275ZB 02R Clamp To Suit Tubular Keys



Description

The Silca D743275ZB 02R is a special Clamp Adaptor to be used with the Futura Electronic Key Cutting Machine and is suitable for Tubular keys.



Tubular Key

Features

- Suitable for Tubular keys
- To be used with the Silca Futura Electronic Key Cutting Machine

Product Table



L23509
02R Clamp