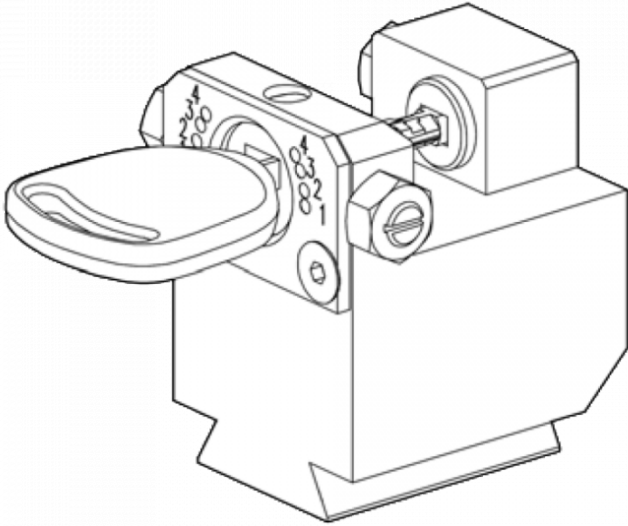




SILCA D743276ZB 03R Clamp To Suit Ford Tibbe Keys



Description

The Silca D743276ZB 03R is a special Clamp Adaptor to be used with the Futura Electronic Key Cutting Machine and is suitable for Ford Tibbe keys.

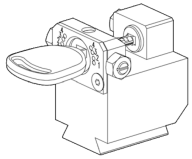


Tibbe Key

Features

- Suitable for Ford Tibbe keys
- To be used with the Silca Futura Electronic Key Cutting Machine

Product Table



L23510
03R Clamp