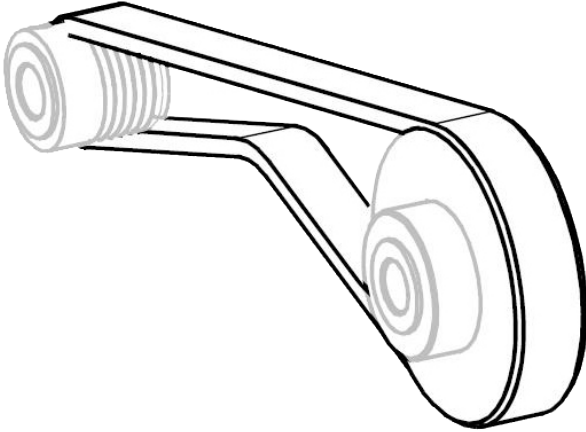




## SILCA D923748ZR Bravo Professional II Belt



### Description

---

Belt to suit Silca Bravo Professional II manual key cutting machines.

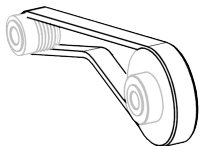
### Features

---

- To suit the Silca Bravo Professional 2 manual key cutting machine
- High quality Silca product

### Product Table

---



**L19678**

D923748ZR