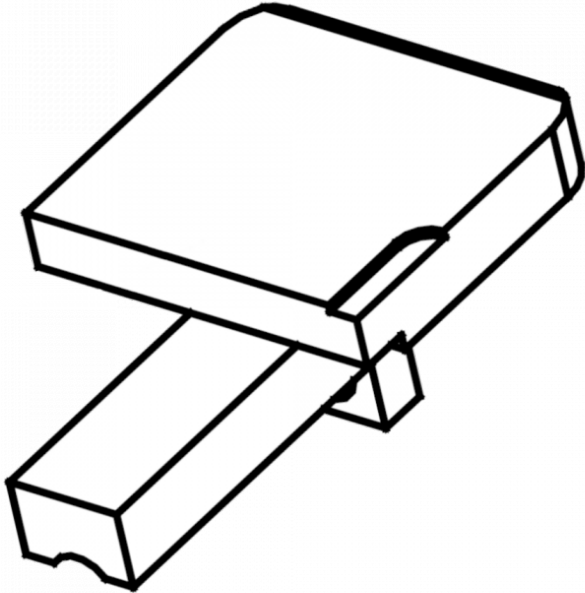




SILCA D912401ZR Triax-e-Code Mobile Jaw



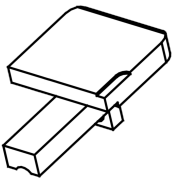
Description

A genuine Silca replacement jaw for the Triax E-code key cutting machine

Features

- High quality Silca product

Product Table



L17847

D912401ZR