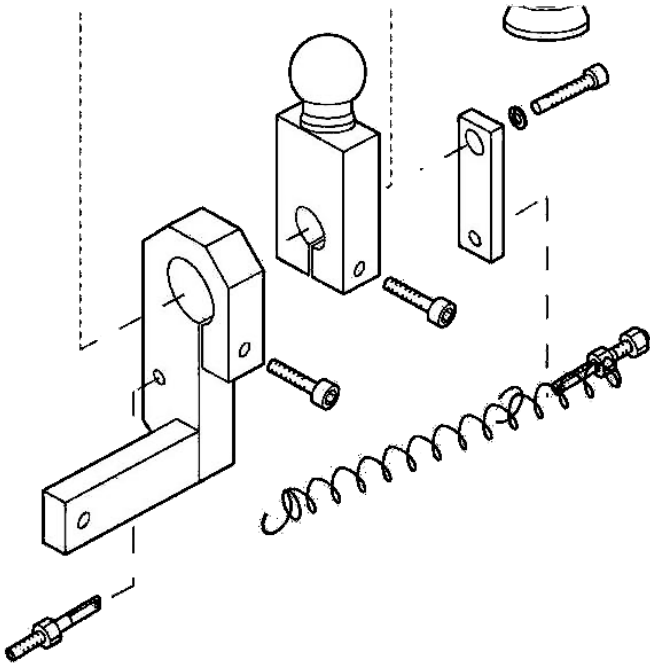




SILCA D908400ZR Lancer Spring Set



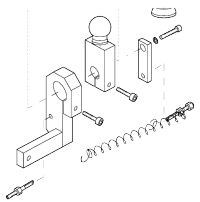
Description

A genuine Silca replacement spring set for the Lancer key cutting machine

Features

- High quality Silca product

Product Table



L17229
D908400ZR