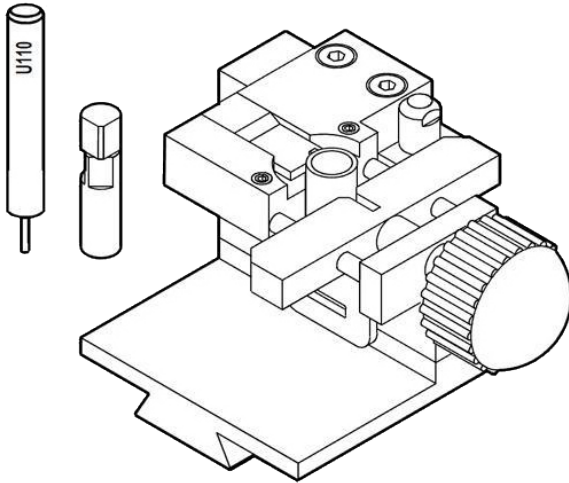




SILCA D720965ZB Triax-e-Code R9 Jaw



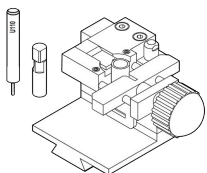
Description

Special clamp for tubular type keys to suit Silca Triax-e-code machine

Features

- To suit Silca e-code machine
- To suit Silca e-code machine
- R9 Jaw for tubular keys

Product Table



L17443
D720965ZB