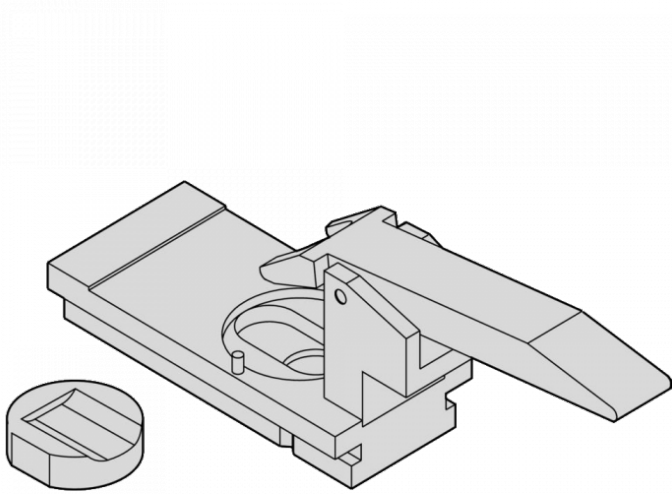




SILCA D71485ZB Key Marker C3/2 Clamp For Oval Cylinders

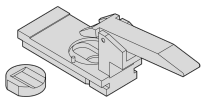


Description

Special clamp designed for marking oval cylinders on the Silca Key Marker machine

Features

Product Table



L10283
D71485ZB