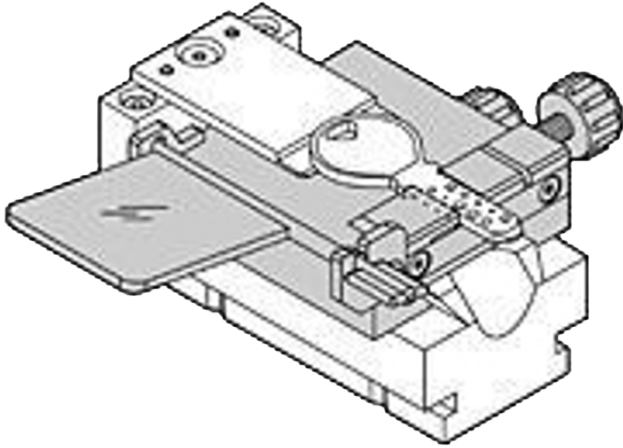




SILCA D713248ZB Key Marker C1A Clamp To Suit Kaba Cylinders

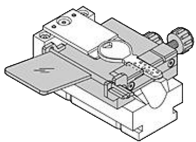


Description

Special clamp designed for marking flat keys such as dormakaba (formerly known as Kaba) and Keso on the Silca Key Marker machine

Features

Product Table



L9577
C1/A Clamp