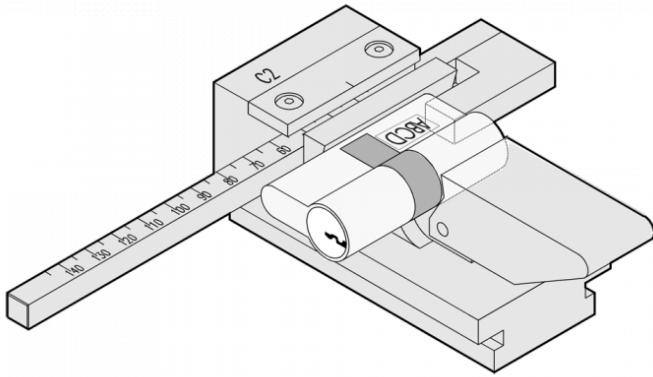




SILCA D712634ZB Key Marker C2 Clamp To Suit Euro Cylinders



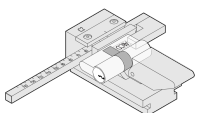
Description

Special clamp designed for marking euro cylinders on the Silca Key Marker machine

Features

- High quality Silca product
- To suit Silca key marker machine
- Euro cylinder clamp

Product Table



L8434
C2 Clamp