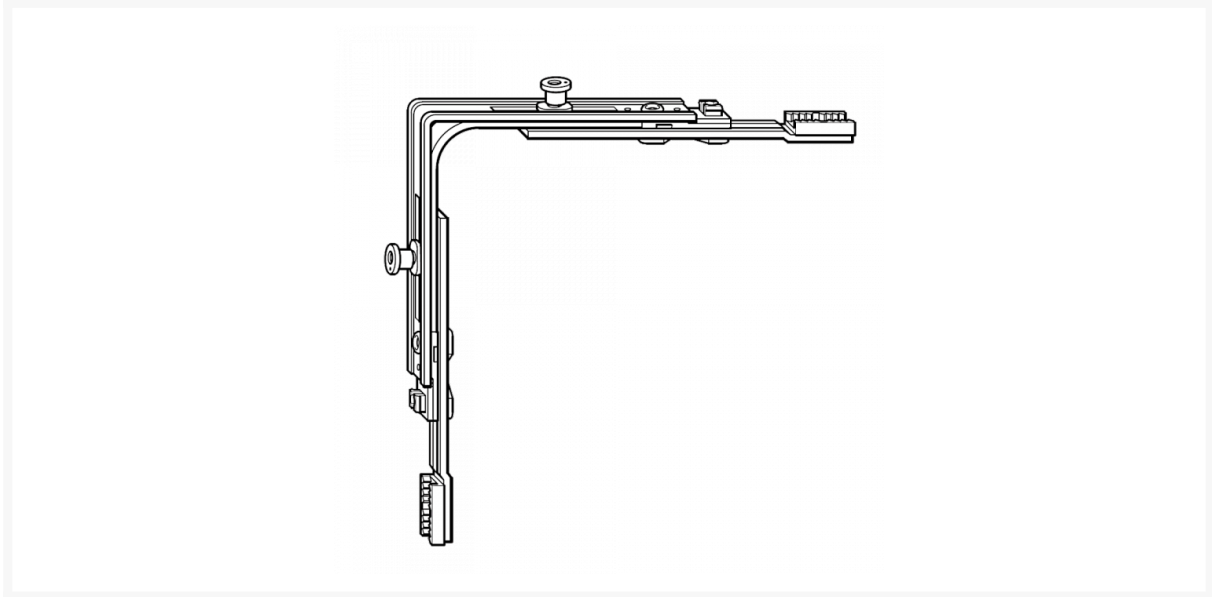




ROTO NT Corner Drive RC3 Security



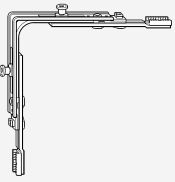
Description

Roto corner drive RC3 security rated with 2 x locking cam type V to suit the NT tilt and turn hardware system. Type V locking cams are height and gasket compression adjustable security cams. The Roto Sil Nano surface finish gives a consistent matt silvery finish across the component range and has optimal corrosion protection through galvanising, chromating and additional sealing.

Features

- 2 x Locking cam V - height and gasket compression adjustable security cam
- Security corner drive
- To suit the NT tilt & turn hardware system
- RC3 security

Product Table

	<p>L33828</p> <p>2 x Type V Cams 260274</p>
---	--