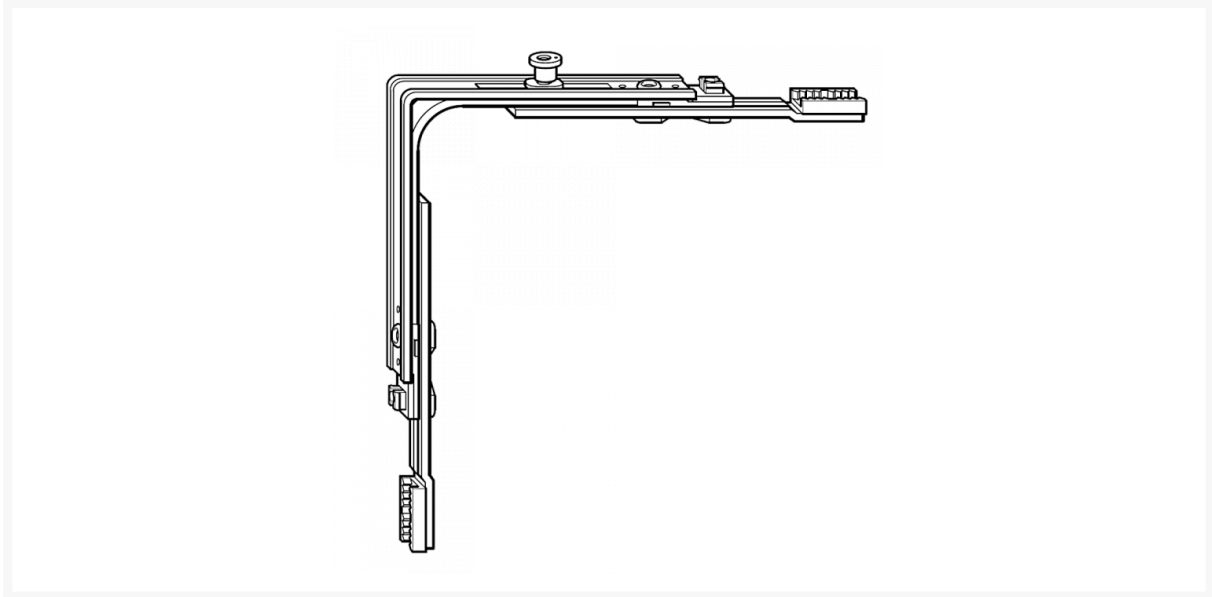




ROTO NT Corner Drive RC1/RC1N/RC2/RC2N Security



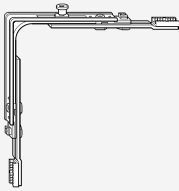
Description

Roto corner drive RC1/RC1N/RC2/RC2N security with 1 x locking cam type V to suit the NT tilt and turn hardware system. Type V locking cams are height and gasket compression adjustable security cams. The Roto Sil Nano surface finish gives a consistent matt silvery finish across the component range and has optimal corrosion protection through galvanising, chromating and additional sealing.

Features

- 1 x Locking cam V - height and gasket compression adjustable security cam
- Security corner drive
- To suit the NT tilt & turn hardware system
- RC1/RC1N/RC2/RC2N security

Product Table



L33829

1 x Type V Cam 260272