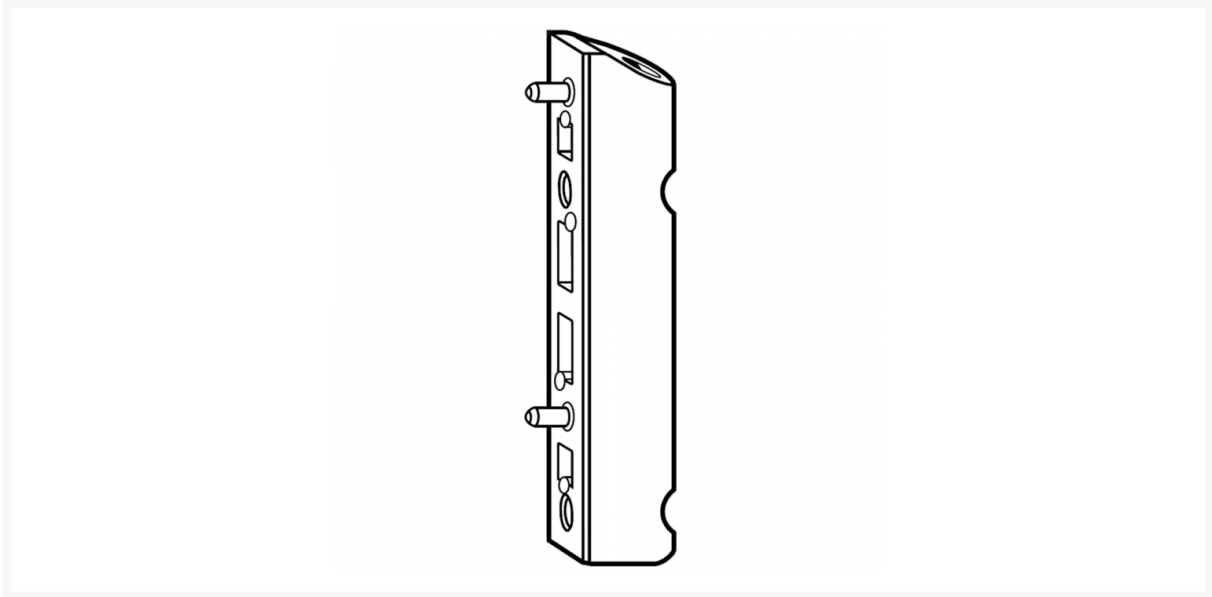




## ROTO NT Bottom Corner Hinge K



### Description

---

Roto NT bottom corner hinge K for tilt & turn hardware systems. The Roto Sil Nano surface finish gives a consistent matt silvery finish across the component range and has optimal corrosion protection through galvanising, chromating and additional sealing.

### Features

---

- Bottom corner hinge K
- To suit the NT tilt & turn hardware system

## Product Table

---



**L33871**

Corner Hinge K 230343