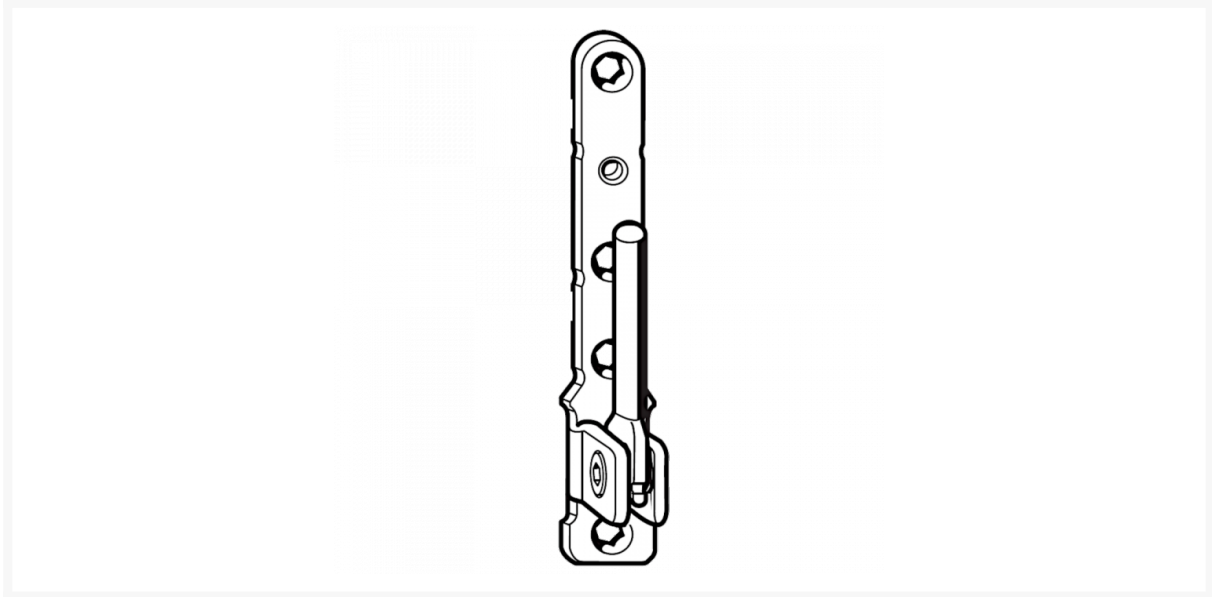




## ROTO NT Bottom Corner Pivot Rest K



### Description

---

Roto NT bottom corner pivot rest for tilt & turn hardware systems. The Roto Sil Nano surface finish gives a consistent matt silvery finish across the component range and has optimal corrosion protection through galvanising, chromating and additional sealing.

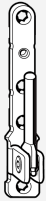
### Features

---

- Bottom corner pivot rest bearing K
- To suit the NT tilt & turn hardware system

# Product Table

---



**L33874**

Corner Bearing 258590