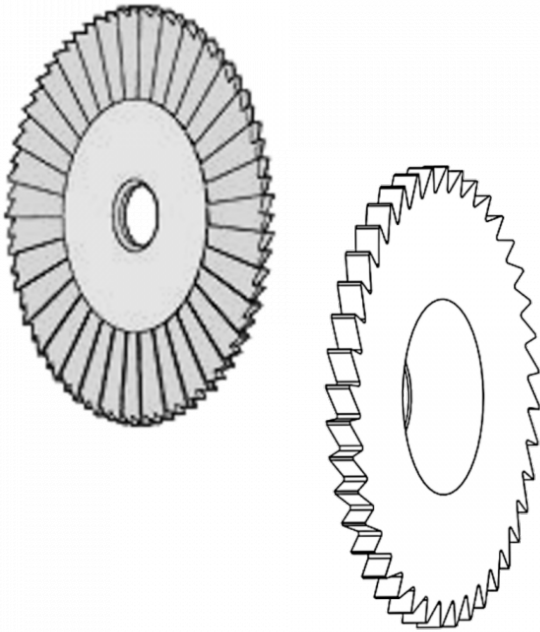




## SILCA Cutter Twin Pack for Silca Lancer Plus Mortice Machine



### Description

---

This Silca twin pack consists of two different cutters to suit the Silca Lancer and Lancer Plus key cutting machines.

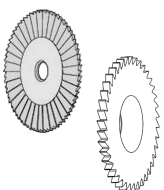
### Features

---

- High quality Silca product
- Contains 1 cutter D700204ZB and 1 x cutter D740601ZB
- To suit Silca Lancer & Lancer Plus machines

### Product Table

---



**L33470**

D700204ZB + D740601ZB