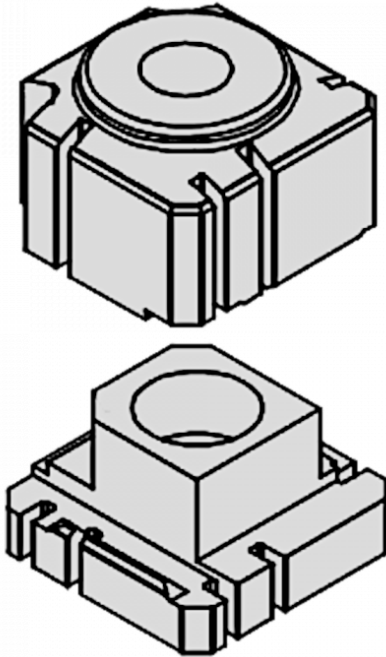




SILCA D934595ZR Cylinder Jaw/Clamp Set For Silca Duo Machine



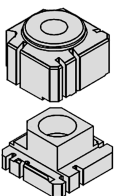
Description

A genuine replacement cylinder jaw/clamp set for the Silca Duo key cutting machine.

Features

- High quality Silca product
- Cylinder jaw/clamp set for Silca Duo key cutting machine

Product Table



L32998

D934595ZR