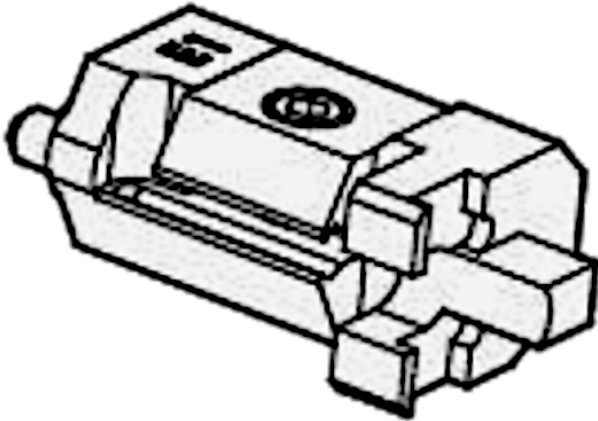




SILCA E1 Mortice Adapter To Suit Idea Key Machine



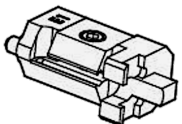
Description

The Silca E1 adaptor allows mortice keys to be cut on the Idea key machine.

Features

- Adaptor for mortice keys
- To suit Idea machine

Product Table



L32467

D727058ZB