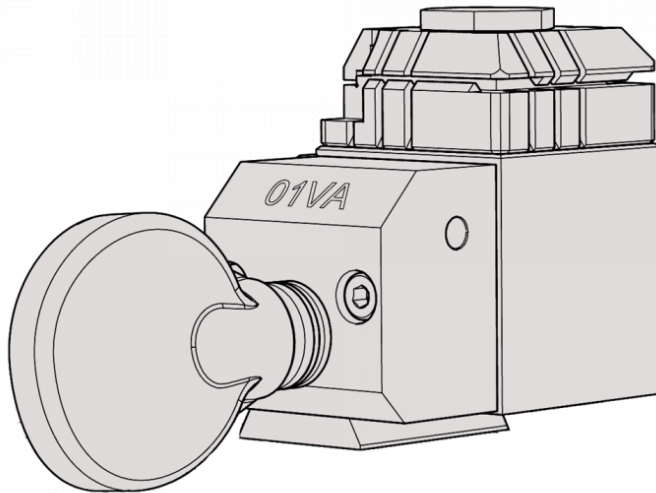




SILCA D949852ZR 01VA Futura Jaw



Description

The Silca D949928ZR 01RA is a 4-way rotating jaw that allows flat keys with standard cuts to be cut with the Futura Electronic Key Cutting Machine.

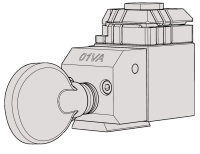


Laser Key

Features

- 01VA jaw
- For use with the Silca Futura Auto cutting machine
- High quality Silca product

Product Table



L31716

D949852ZR