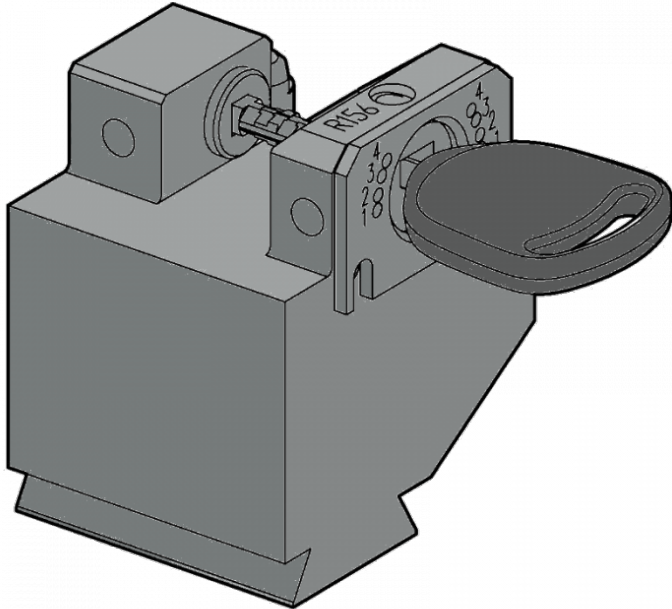




SILCA D727875ZB Triax R156 Ford Tibbe Jaw Clamp



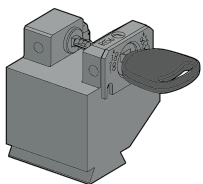
Description

R156 Ford Tibbe jaw clamp to suit the Triax e-code & Triax Quattro Machines.

Features

- High quality Silca product
- R156 Ford Tibbe jaw clamp
- Suitable for use with the Silca Triax Quattro & Triax e-code machines

Product Table



L31280

D727875ZB