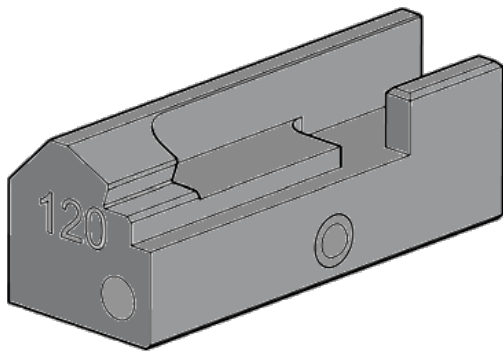




# SILCA D7A1623ZB Futura Auto 120 Citroen Jaw



## Description

---

The SILCA D7A1623ZB Futura Auto 120 Jaw is a genuine Silca jaw adaptor for use with the Silca Futura Auto key cutting machine. The jaw allows for the secure holding of metal keys and is used in conjunction with the Silca Citroen 120 jaw.

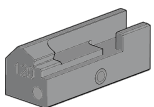
## Features

---

- Jaw adaptor
- For use with the Silca Futura Auto key cutting machine
- High quality Silca product

## Product Table

---



**L31169**  
D7A1623ZB