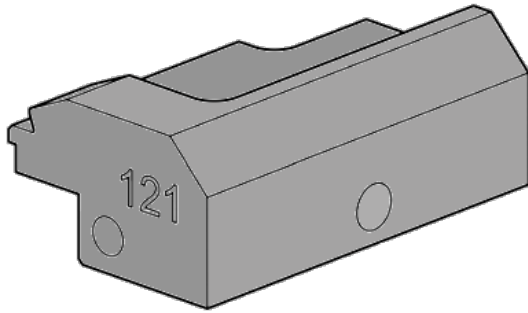




SILCA D7A1624ZB Futura Auto 121 Citroen Jaw



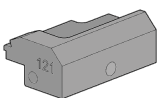
Description

The SILCA D7A1624ZB Futura Auto 121 Citroen Jaw is a genuine Silca jaw adaptor for use with the Silca Futura Auto key cutting machine. The jaw allows for the secure holding of metal keys and is used in conjunction with the Silca Citroen 121 jaw.

Features

- Jaw adaptor
- For use with the Silca Futura Auto key cutting machine
- High quality Silca product

Product Table



L31170
D7A1624ZB