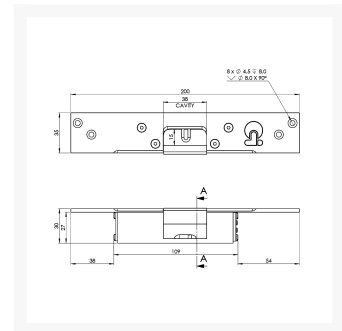




CLARKE INSTRUMENTS 9133 Electric Mortice Release



Description

British designed & manufactured electric release made with solid brass body and latch block. This model is 12v DC fail open without microswitch sensing. With a 4.7mm diameter locking plunger, this product withstands up to 5KN and is suitable for use on either internal or external doors.



Reversible Handing



UK Manufactured

Features

- 12V DC fail open without microswitch sensing
- Suitable for the access control of internal or external doors
- Solid brass body and latch block
- Nickel Plated finish
- Withstands up to 5KN
- Locking plunger - 4.7mm diameter

Product Table



L8160

12VDC F/U