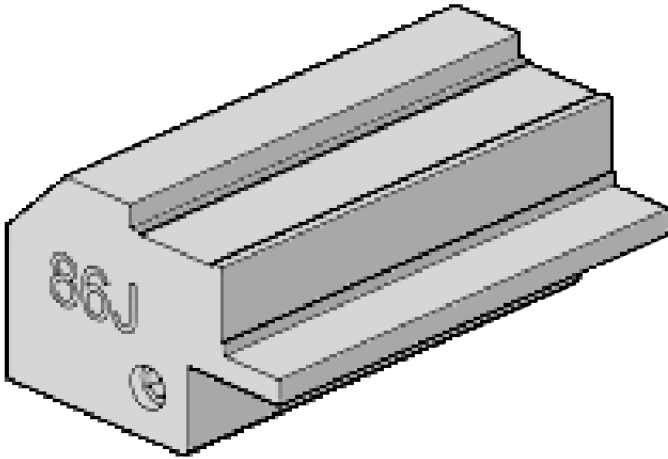




SILCA D749002ZB Triax Jaw 86J



Description

86J Jaw to suit Triax-e-code & Triax-Quattro machines and is designed to cut keys for Assa Abloy K100, Ikon RW6, Union KeyPRIME, Vachette Vercy & Assa Abloy CY110 systems.

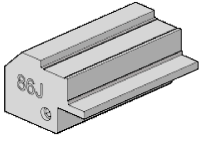


Dimple Key

Features

- Designed to cut keys for Assa Abloy K100, Ikon RW6, Union KeyPRIME, Vachette Vercy & Assa Abloy CY110 systems.
- 86J Jaw
- Suitable for use with the Silca Triax-e-code & Triax-Quattro machines

Product Table



L28427

D749002ZB